



DUODEX ENGINEERING & TRADING SDN. BHD. (332685-X)

● Fire protection specialist contractor & engineer ● Fire roller shutter & industrial doors specialist ● Fire rated partition & interior plaster supplier



See Thru Shutter

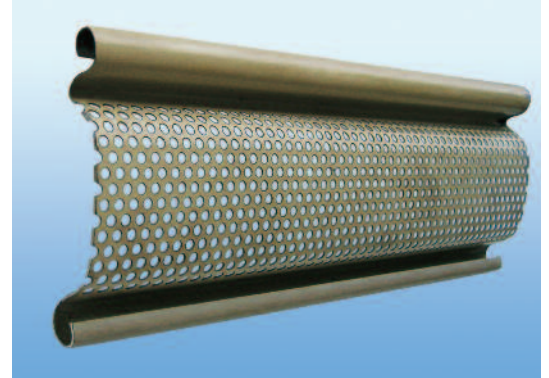
See through shutters are designed to provide security, up to 40% transparency, suitable for advertising products while shops are closed. We have installed 6 units of such see through shutters with long span length of 10 meters in Kuala Lumpur Sentral Station. These Duodex “See Thru” shutters come in normal finish with choice of either galvanised iron (G.I), colourbond® or zinalume. To suit your corporate colour or architectural requirement the curtain (slats) can be powder coated to any required colour. For shutters of single long span and for extreme height, motorised controlled “see thru” shutters are recommended while manual shutters are mainly used for shop fronts.



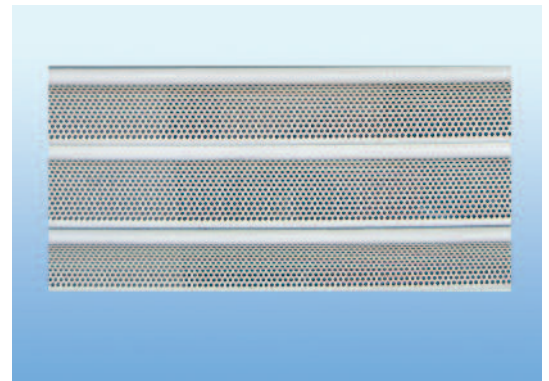


See Thru Shutter

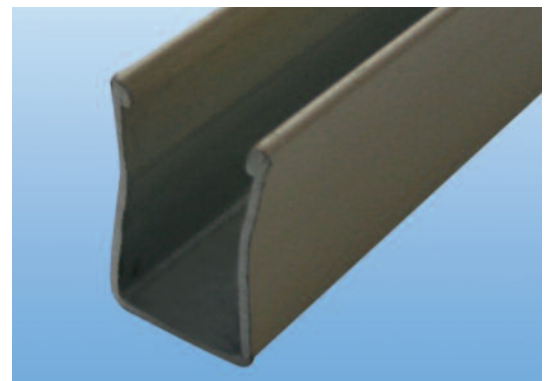
See Thru Shutters offers clean, uncluttered shop view illumination the effect of being 'closed in'. The shutters are most popular in shopping centers. Power coated to the required colour gives it a sense of belonging on part of the building. These shutters are custom made. To date we have installed shutters up to 10 meters in length and it was power coated. Depending on the size of the shutter and the slat thickness, these doors can be manually operated or motorized. See Thru shutters can be added to other type of shutters including powercoated ones to give more ventilation.



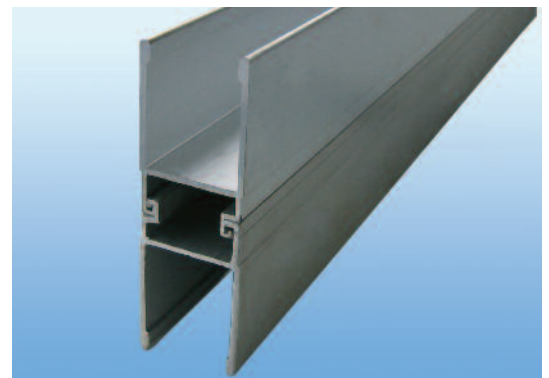
100mm perforated slat



75mm perforated slat



Side guide



Transparent shutter mullion

Duodex Specification

Curtain

Shutter curtain constructed from interlocking of See Thru slats which are usually power coated. Placed and held by endlocks on both ends. See Thru shutter provides 40% transparency. Thickness of 1.0mm is generally used for motorized shutter and 0.7mm for manually operated ones. Bottom rail are mild steel T bars. Where by one side is a roll formed L shaped and 2 angles welded on the other side.

Side Guides

Where manual shutters are concerned size of 45 x 32 x 1.2mm roll formed mild steel guides are used. As for motorized shutters are concerned 75 x 90 x 1.8mm guides will be used.

Endplates

Pre painted mild steel of 3 mm for manual operated and 4mm and above for motorized ones will be used.

Manual operation

This shutter is most popular at shop fronts. This shutter using spring and pulley which counter acts and pushes the shutters up and down. The maximum size for a single panel is 3.5m in width and 3.2m in height. The best height is 2.4meters. For shutters longer than this center mullions will be placed between 2 adjoining panels.

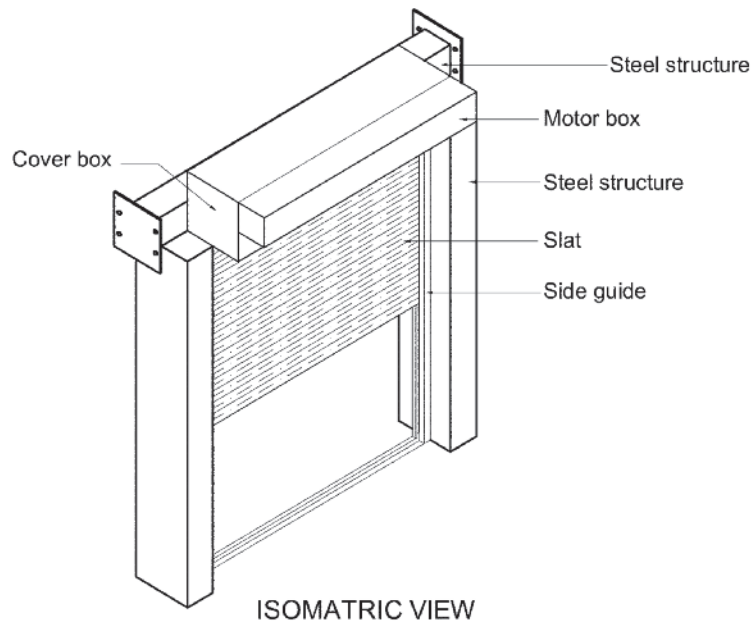
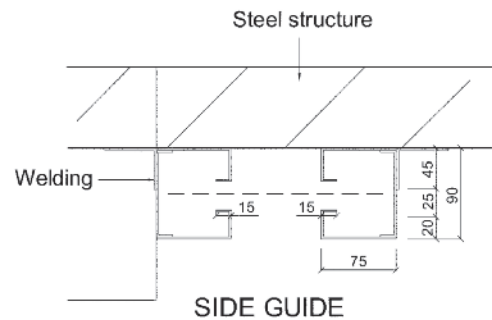
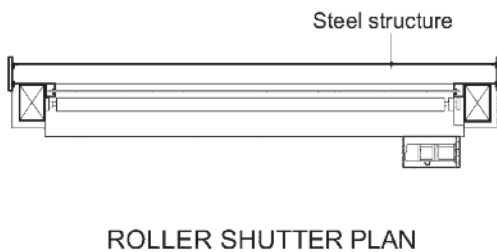
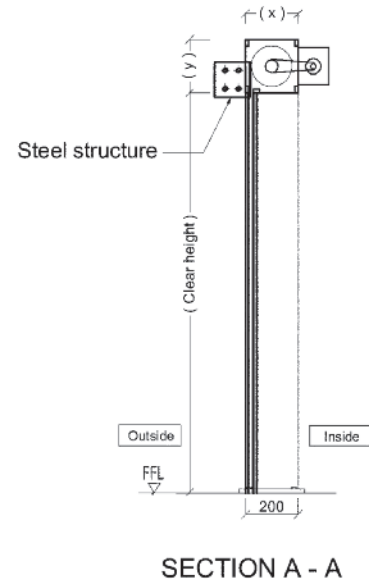
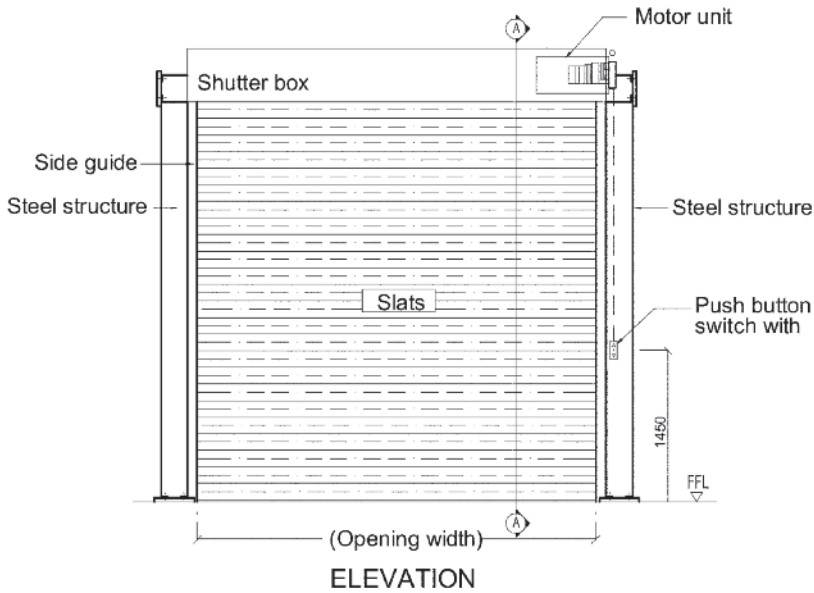
Motorised Operation

The shutter can also be operated using a shutter motor. The variants available are 300kg, 400kg, 500kg, 850kg and 1000kg. Here there is an option of using a backup battery where there is a power failure. A remote control can be added. In entrance areas safety sensors may be an option.



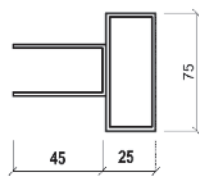
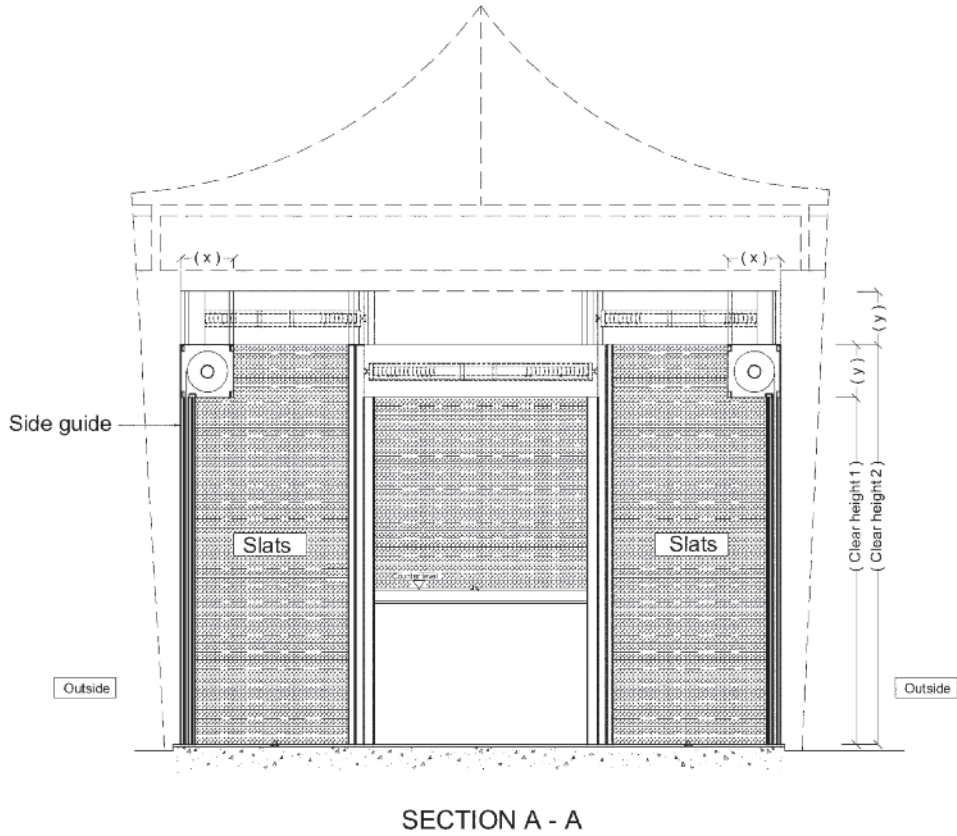
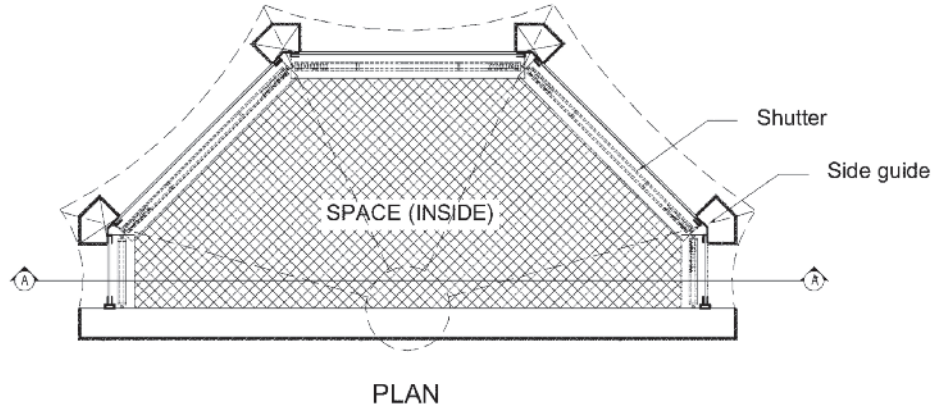
See Thru Shutter (with self supporting structure)

Clear Width	Clear Height	Box Size	
		A	B
4000mm	3000mm	380	400
6000mm	4000mm	380	400
8000mm	5000mm	400	450
10000mm	6000mm	550	600

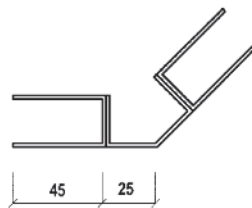




Special Custom Design See Thru Shutter



SIDE GUIDE



CENTER MULLION