

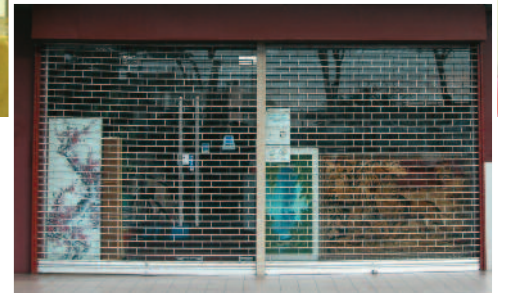


- Fire protection specialist contractor & engineer
- Fire roller shutter & industrial doors specialist
- Fire rated partition & interior plaster supplier

## Security Grille Shutter



Ideally built for maximum security and ventilation the Duodex security grille shutters are designed for giving a "Corporate look" suitable for banks. These security grille shutters come in motorized version or manual version. The curtain are constructed from interlocking aluminium flat bars and round bars. In between these aluminium bars are metal rods which give the shutters strengths in total security. The bottom base of this shutters are built with aluminium material. Motorized version and manual version are



## Security Grille Shutter

Where the level of security is maximum while needing a fully closed shutters. Grille shutters will be designed the opening on main entrances like banks and underground carpark, where no optimum ventilation. The combination of aluminium flat bar and round bar offers a high elegance appearance.

The grille shutter made to suit can be made up to 10 meter in length. In other instances, this shutter can be manufactured using stainless steel material, Power coating of this shutter is also possible. As it is usually installed at entrances. Battery back up, remote control and sensors can be added.

### Duodex Specification

#### **Curtain**

Constructed from aluminium round bars and flat bars to give a brickwork look. Inner metal round bars which run horizontally gives strength against deflection. Both sides of the metal are pinned to prevent movement from left to right or vice versa. On the bottom, the T bar is constructed from 2 aluminium angles. If the T bar is longer than 6.1 meter then the metal T bar is used.

#### **Side Guides**

Formed from mild steel plates to a C channel of size 75 X 90 with a 1.8mm thickness. This is bolted to the column or wall for strength.

#### **Roller**

The shutter pipe is made from mild steel pipe various size pending on the size of shutter.

#### **Endplates**

On both end of the shutter the endplates are made from mild steel which size and thickness vary according to the size of the shutter.

#### **Finishing**

Mainly aluminium finish on curtain and T bar. The side guide is mild steel. (Motorised version).

#### **Manual operation**

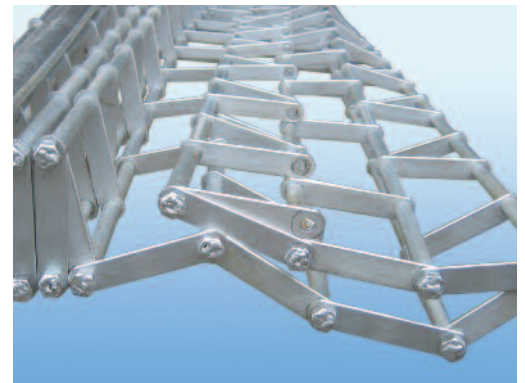
All manually operated shutter using grille gives a touch of security as the infills are solid round metal bars. The round bars and flat bars do not rust. Side guides and center mullion are also aluminium

#### **Motorised Operation**

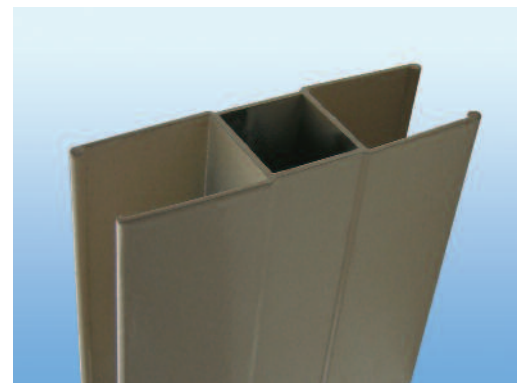
Here the motorized shutters are mainly used at the main entrance of building such as banks and financial Institutions. Added security as flashing light and siren can be included to deter robbers. A remote control can also be included to assist in the closing of the shutter. In case of power failure the manual override is available.



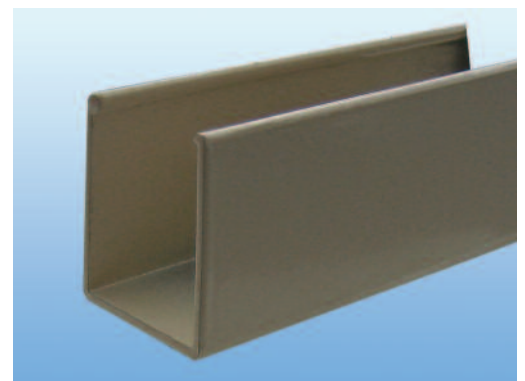
Grille Curtain



Grille Curtain



Center mullion



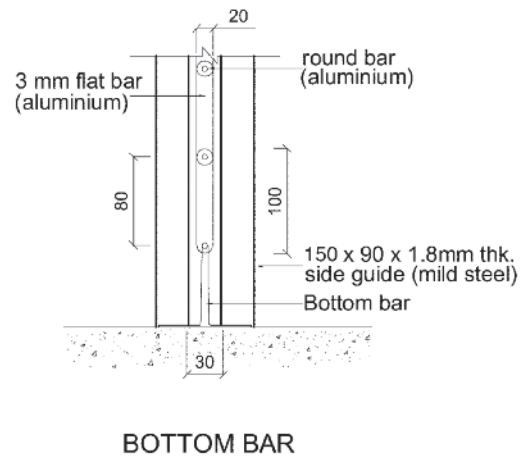
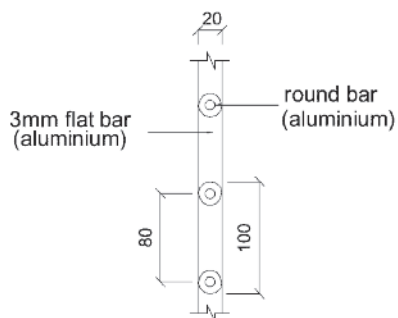
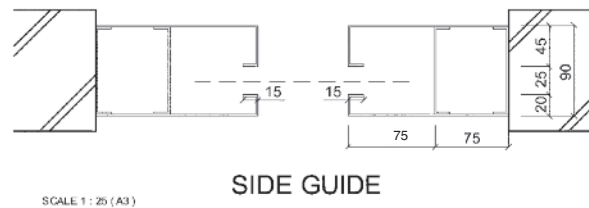
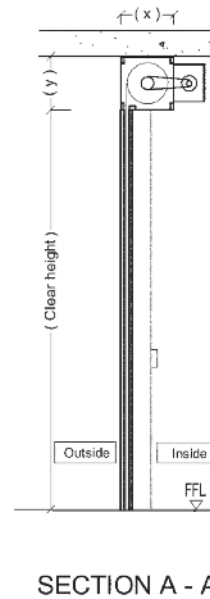
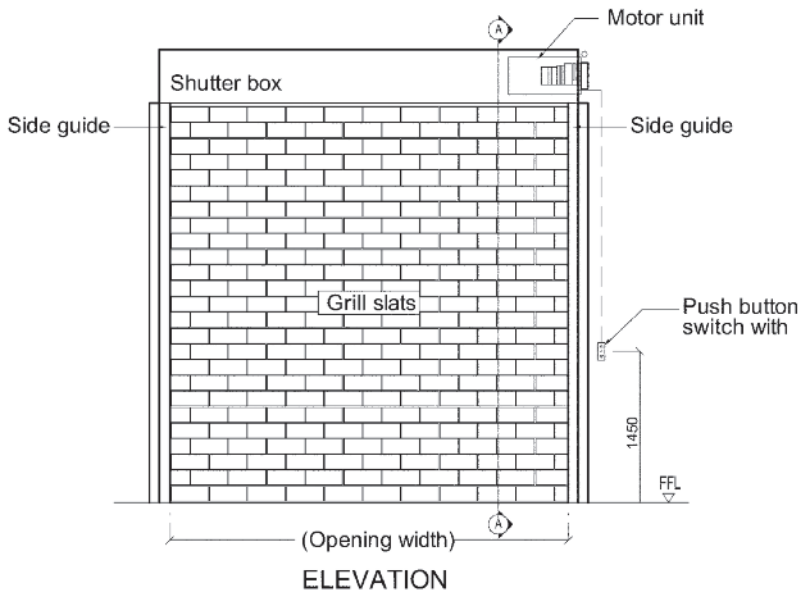
Side Guide



# Security Grille Shutter

( between column details - motorised)

Clear Width	Clear Height	Box Size	
		A	B
4000mm	3000mm	380 x 400	
6000mm	4000mm	380 x 400	
8000mm	5000mm	400 x 450	
10000mm	6000mm	550 x 600	





**Special Custom Design Security Grille Shutter**

SHUTTER DESIGN WITH LENGTH OVER 10 m

